

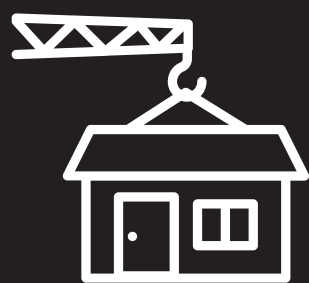
CON-300 BELT CONVEYOR

Engineered for modular production.

A robust, continuously running belt conveyor system purpose-built to move heavy modular units efficiently through each stage of your production process.

Designed to be used in conjunction with a flush platform or sunken into the ground.

From conveyor to completion, expert guidance at every stage.



Move Modules with ease!



Heavy Duty Belt

Heavy loads, handled smoothly! Suitable for modules up to 25 tonnes.



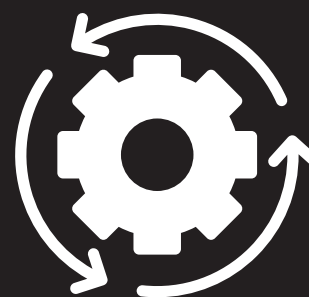
Low Continuous Speed

Set to a factory-safe, consistent speed. Providing safe, controlled movement of modules.



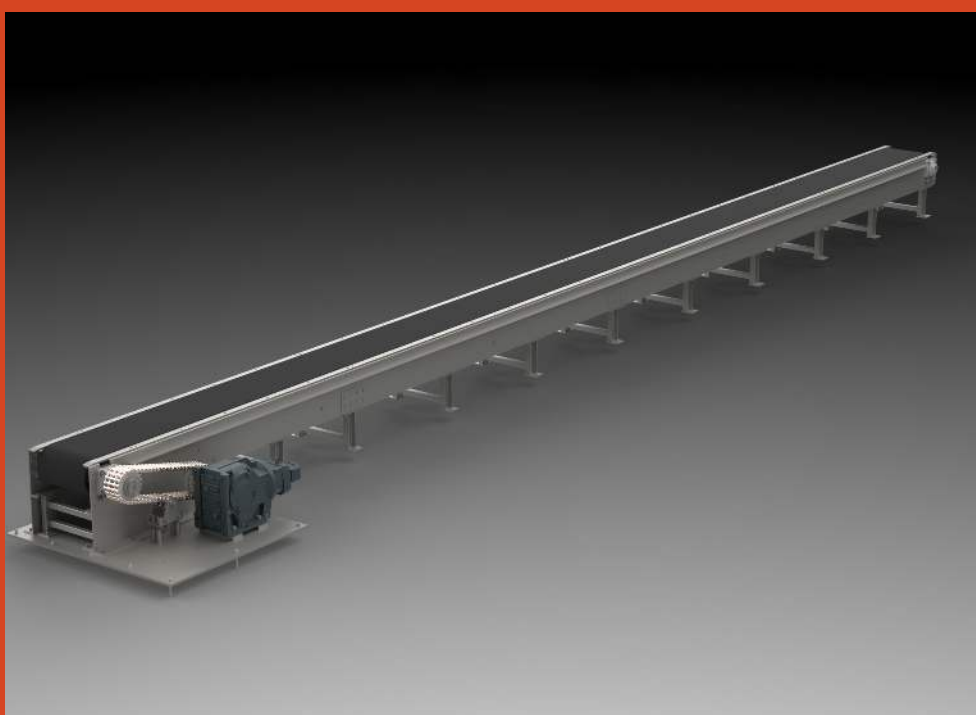
Modular Design

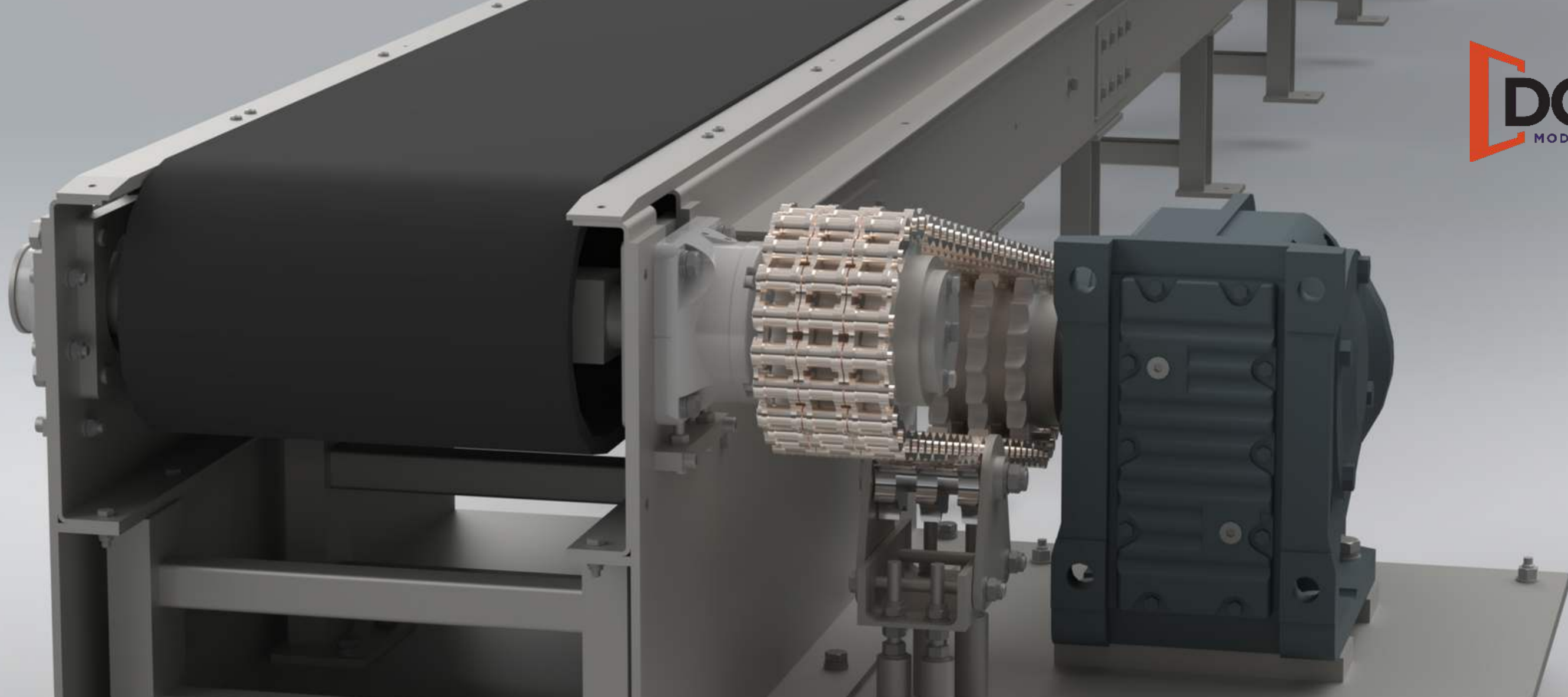
Customisable lengths to suit your factory space & production targets



Improve Workflow Efficiency

Supports lean manufacturing by enabling uninterrupted movement between build stations.



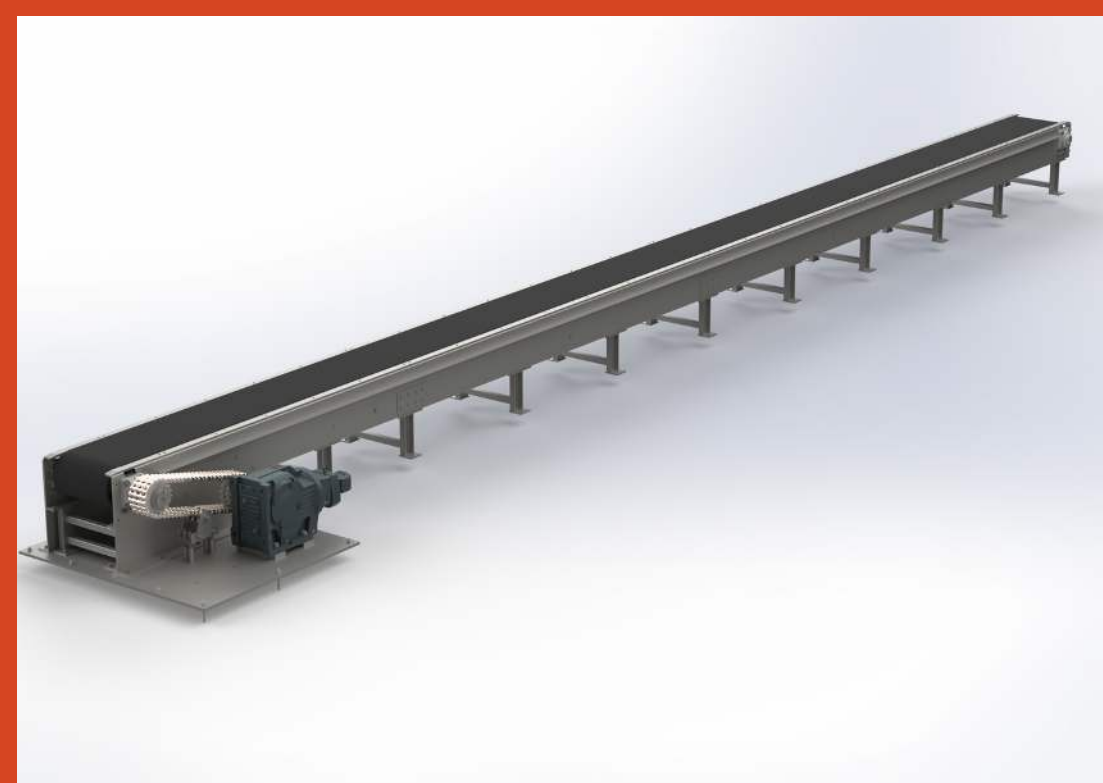


CON-300 TECHNICAL SPECIFICATIONS

The conveyor system operates as either a **2-strand belt conveyor** with modules traveling lengthways, or as a **3-strand** or **4-strand belt conveyor** with modules traveling sideways.

The conveyor system is used in conjunction with a **flush working platform** or **sunken into the ground** to provide a working area alongside the conveyor system.

Power Supply	230/460V / 3 Phase / 50 - 60 Hz
Power Consumption	0.12 kW per station
Control Logic	Continuous conveyor
Belt Speed	Approx. 6m per hour
Belt Width	500mm
Conveyor Unit Length (M Type)	13.25 meters
Conveyor Unit Length (F Type)	5.5 meters
Payload (2 belt system)	25 tonnes
Working Height	700mm



Ready to improve your production process?
Contact our expert team today.